

DUST-TIGHT RELAY SERIES



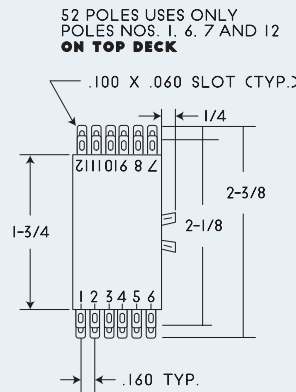
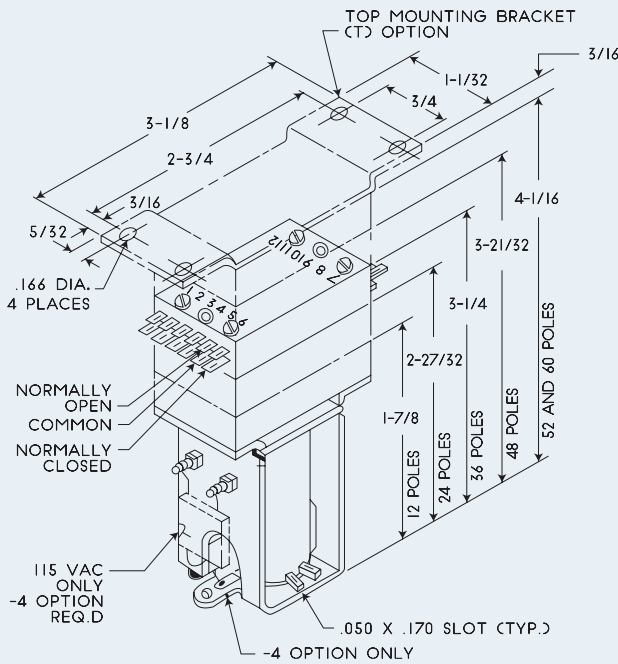
SWITCH MORE CIRCUITS IN LESS SPACE with our 12-pole switching wafer is the ultimate solution to the problem of multi-circuit switching— whether it is gang switching, circuit selection or matrix switching. Designed to protect against normal ambient dust conditions and developed for use in controlled environments such as test areas, computer control rooms, broadcast studios and network management centers. Wafers are stacked on solenoid type actuators to produce relays which are manufactured in configurations of 4, 8, 12, 24, 36, 48 and 60 Form A, normally open, and 52 Form C, Double Throw. Form B, normally closed switching, is also available in the same number of contacts. T-Bar switches come in multi-contact options: 900 SERIES (1 Amp) or 800 SERIES (5 Amp). 100% quality tested guarantee.

SPECIFICATIONS:

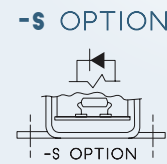
- **SEAL TYPE:** Dust-Tight
- **# OF POLES:** 4, 8, 12, 24, 36, 48, 52 and 60
- **COIL VOLTAGE:** 6, 12, 24, 28, 48 and 110 Volts DC + 115 Volts AC
- **TYPE OF CONTACTS:** 800 Series (5 Amp) or 900 Series (1 Amp)
- **CONTACT FORM:** A, B, C, D
- **PROTECTED** against normal ambient dust conditions.
- **SWITCHES MORE CIRCUITS** in less space.



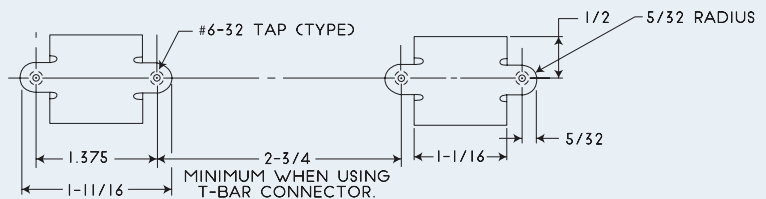
TECHNICAL DIAGRAM



SWITCH MORE CIRCUITS IN LESS SPACE.



MOUNTING INFORMATION



ORDER INFORMATION

We offer reliable, electrical solutions to optimize productivity and maximize control of your energy systems. 50+ years of proven manufacturing in the U.S.A. sourcing local products for any size order with incredible prices. Experience the shortest lead time in procuring your electrical components. View our products online at tbarrelay.com, connect at info@occorp.com or call (847) 742-3566.

PART NO.: 801/901-12C-28
T-BAR SERIES: 801/901
NO. OF CONTACTS: 12
CONTACT FORM: C
COIL VOLTAGE: 28